



MIXING TECHNOLOGY

WITA - Bloc T 08



WILHELM TAAKE GMBH Pumps, Valves and Control technology
Böllingshöfen 85 · D-32549 Bad Oeynhausen · Tel.: 0 57 34-51 23 80 · Fax: 0 57 34-17 52
Internet: <http://www.wita-taake.de> · e-mail: info@wita-taake.de

WITA-Bloc T 08

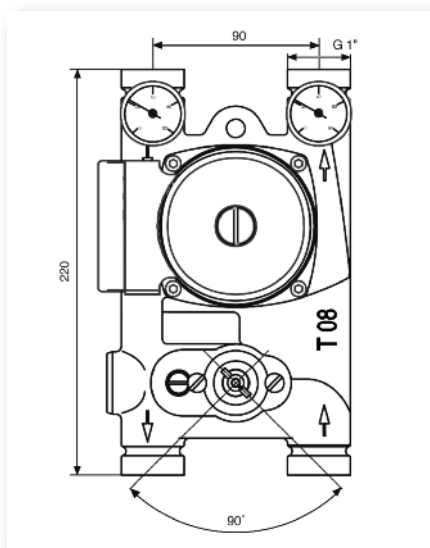


The WITA-Bloc T 08 is a compact cast iron fitting which combines the recirculating pump, mixer and an overflow valve if required in a single housing. It is mainly used in small and medium-sized hot water heating systems. The feed direction is determined by the pump's direction of rotation, clockwise.

Technical features WITA-Bloc T 08

- 3-stage or electronic WITA-EC recirculating pump motor
- 3-way mixer with elastic cock plug (cock plug and cover made of brass, double O-ring sealed)
- Bypass for underfloor heating
- Thermometer for feed and return lines
- Parallel connections with G 1"
- 4 union nuts, 4 inserts 1/2" and 4 seals
- With overflow valve on request
- With insulation on request

Dimensions



Technical data WITA-Bloc T 08

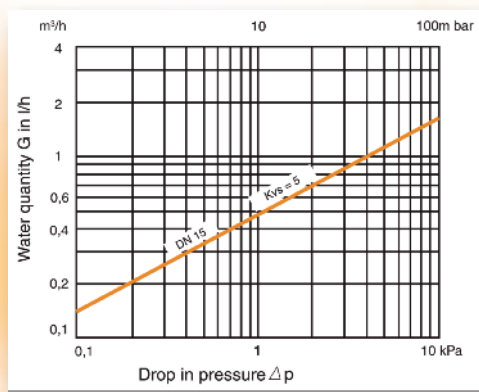
Dimension	DN 15
Material	Cast iron for fittings
Seal	EPDM / NBR
Techn. data max. pressure	10 bar
Max. temperature	110 °C
Cv value	5.0
Dimensions	Feed (flat sealing) G 1" outside thread Outlet (flat sealing) G 1" out side thread Axle-base 90 mm Installation length 220 mm

Available versions of WITA-Bloc T 08

- WITA-Bloc T 08 with 3-way mixer
- WITA-Bloc T 08 with 3-way mixer and overflow valve
- WITA-Bloc T 08 with thermostat as fixed value control station
- WITA-Bloc T 08 with thermostat as return flow temperature increase *in combination with WITA pump head*

3-stage standard	U 35
3-stage standard	U 55
electronic, energy-efficiency class A	UE 35A
electronic, energy-efficiency class A	UE 55A

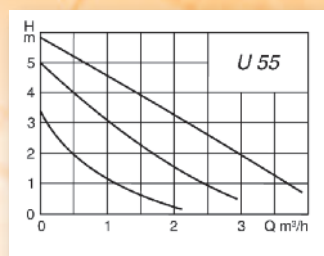
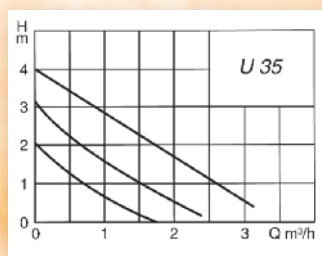
Speed of flow in the mixer



Accessories available

- Distributor VM 90 basic module
- Distributor VM 90 extension module

Characteristic curves for WITA standard pumps



Characteristic curves for WITA energy-efficient pumps

